

ALL DIMENSIONS AND SIZE DESIGNATIONS ARE SUBJECT TO VERIFICATION ON JOB SITE AND ADJUSTMENT TO FIT JOB CONDITIONS  
 DESIGN PLANS ARE PROVIDED FOR THE FAIR USE BY THE CLIENT OR HIS AGENT IN COMPLETING THE PROJECT AS LISTED WITHIN THIS CONTRACT. DESIGN PLANS REMAIN THE PROPERTY OF THIS FIRM AND CAN NOT BE USED OR REUSED WITHOUT PERMISSION.



**Classic Kitchens & Designs**  
 CUSTOM HOME CENTER  
 DOORS, WINDOWS, & MORE

DESIGNED BY:  
 CLASSIC KITCHENS AND DESIGNS INC.  
 495 SHASTA AVE.  
 SAND CITY, CA 93955

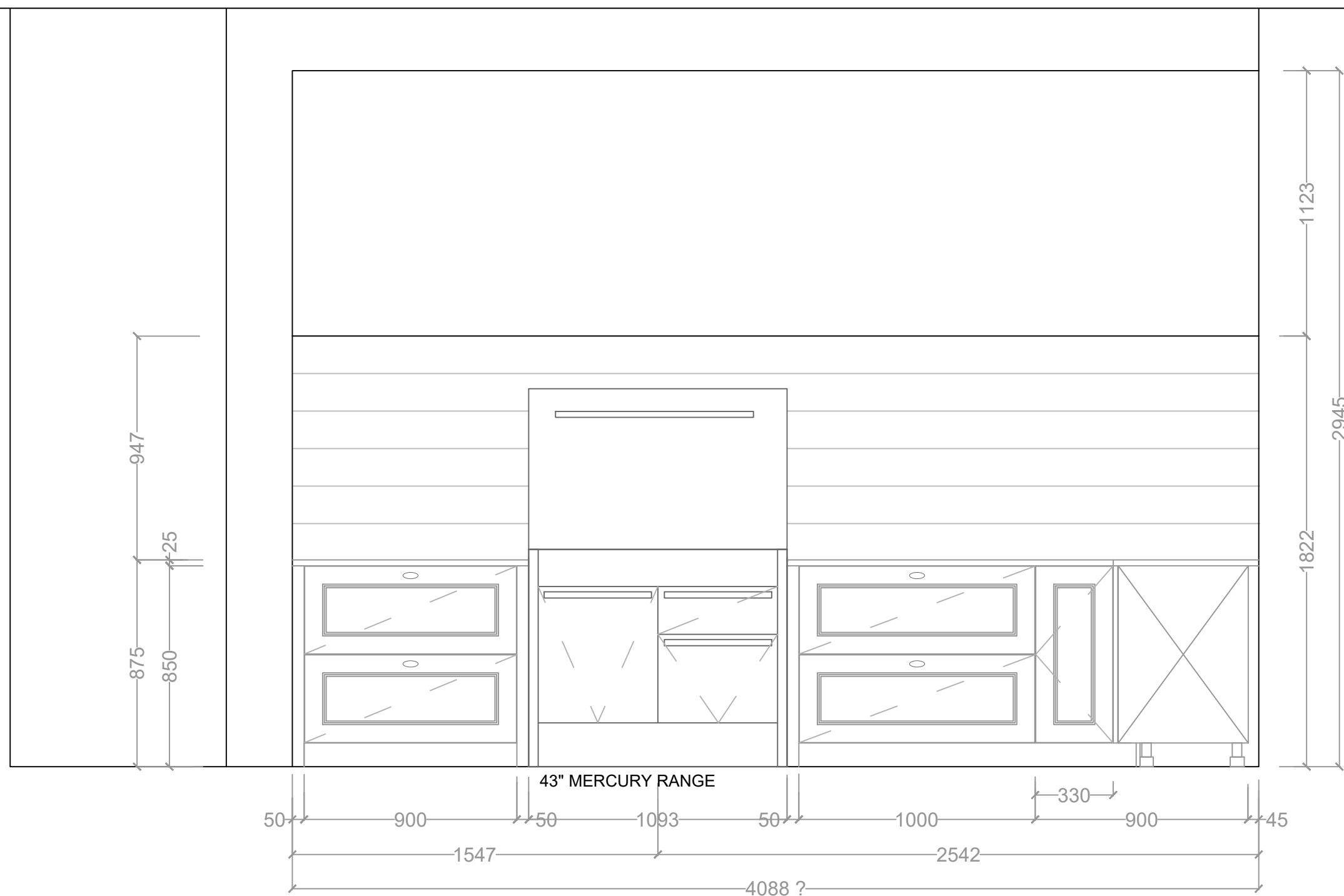
DESIGNED FOR:  
 CLASSIC KITCHENS

DATE:  
 1/15/2021

DESIGNER:  
 SUSANNA SPENCE

SCALE:  
 1:30

DWG NO.  
**1**



**(A) ELEVATION**

ALL DIMENSIONS AND SIZE DESIGNATIONS ARE SUBJECT TO VERIFICATION ON JOB SITE AND ADJUSTMENT TO FIT JOB CONDITIONS  
 DESIGN PLANS ARE PROVIDED FOR THE FAIR USE BY THE CLIENT OR HIS AGENT IN COMPLETING THE PROJECT AS LISTED WITHIN THIS CONTRACT. DESIGN PLANS REMAIN THE PROPERTY OF THIS FIRM AND CAN NOT BE USED OR REUSED WITHOUT PERMISSION.



**Classic Kitchens & Designs**  
 CUSTOM HOME CENTER  
 DOORS, WINDOWS, & MORE

DESIGNED BY:  
 CLASSIC KITCHENS AND DESIGNS INC.  
 495 SHASTA AVE.  
 SAND CITY, CA 93955

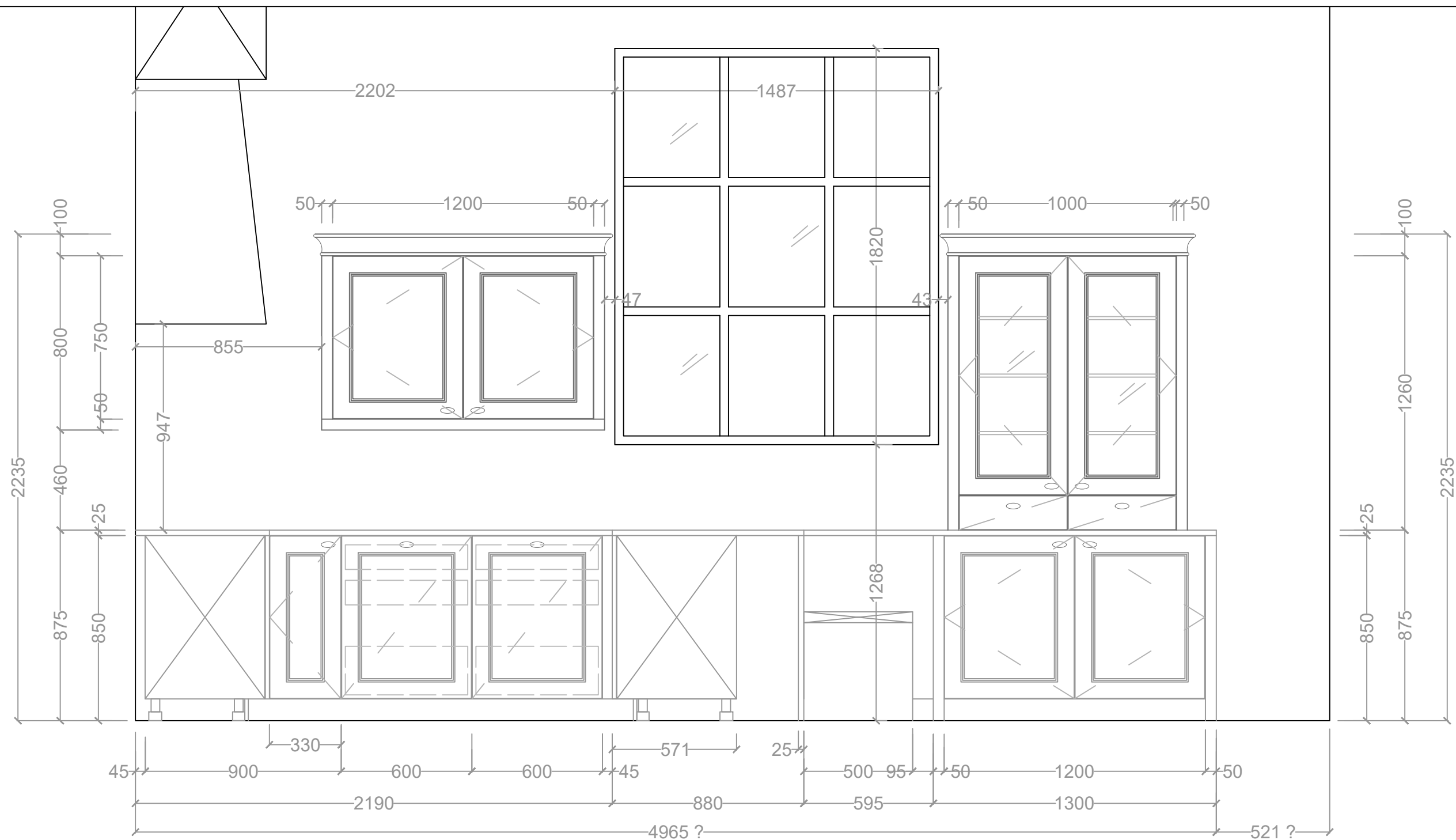
DESIGNED FOR:  
 CLASSIC KITCHENS

DATE:  
 1/15/2021

DESIGNER:  
 SUSANNA SPENCE

SCALE:  
 1:20

DWG NO.  
**2**



**B** ELEVATION

ALL DIMENSIONS AND SIZE DESIGNATIONS ARE SUBJECT TO VERIFICATION ON JOB SITE AND ADJUSTMENT TO FIT JOB CONDITIONS  
 DESIGN PLANS ARE PROVIDED FOR THE FAIR USE BY THE CLIENT OR HIS AGENT IN COMPLETING THE PROJECT AS LISTED WITHIN THIS CONTRACT. DESIGN PLANS REMAIN THE PROPERTY OF THIS FIRM AND CAN NOT BE USED OR REUSED WITHOUT PERMISSION.



**Classic Kitchens & Designs**  
 CUSTOM HOME CENTER  
 DOORS, WINDOWS, & MORE

DESIGNED BY:  
 CLASSIC KITCHENS AND DESIGNS INC.  
 495 SHASTA AVE.  
 SAND CITY, CA 93955

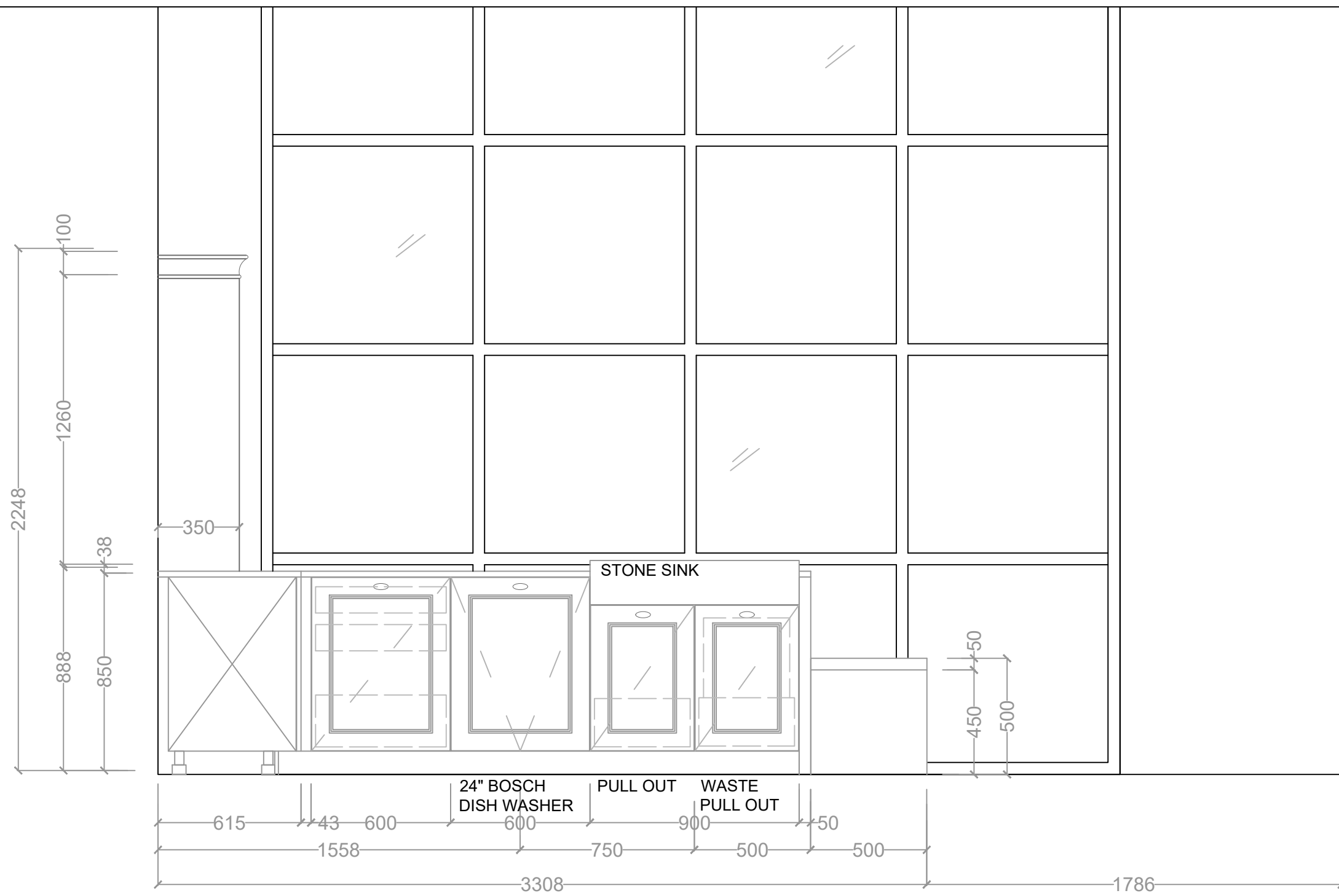
DESIGNED FOR:  
 CLASSIC KITCHENS

DATE:  
 1/15/2021

DESIGNER:  
 SUSANNA SPENCE

SCALE:  
 1:20

DWG NO.  
**3**



**(C) ELEVATION**

ALL DIMENSIONS AND SIZE DESIGNATIONS ARE SUBJECT TO VERIFICATION ON JOB SITE AND ADJUSTMENT TO FIT JOB CONDITIONS  
 DESIGN PLANS ARE PROVIDED FOR THE FAIR USE BY THE CLIENT OR HIS AGENT IN COMPLETING THE PROJECT AS LISTED WITHIN THIS CONTRACT. DESIGN PLANS REMAIN THE PROPERTY OF THIS FIRM AND CAN NOT BE USED OR REUSED WITHOUT PERMISSION.



**Classic Kitchens & Designs**  
 CUSTOM HOME CENTER  
 DOORS, WINDOWS, & MORE

DESIGNED BY:  
 CLASSIC KITCHENS AND DESIGNS INC.  
 495 SHASTA AVE.  
 SAND CITY, CA 93955

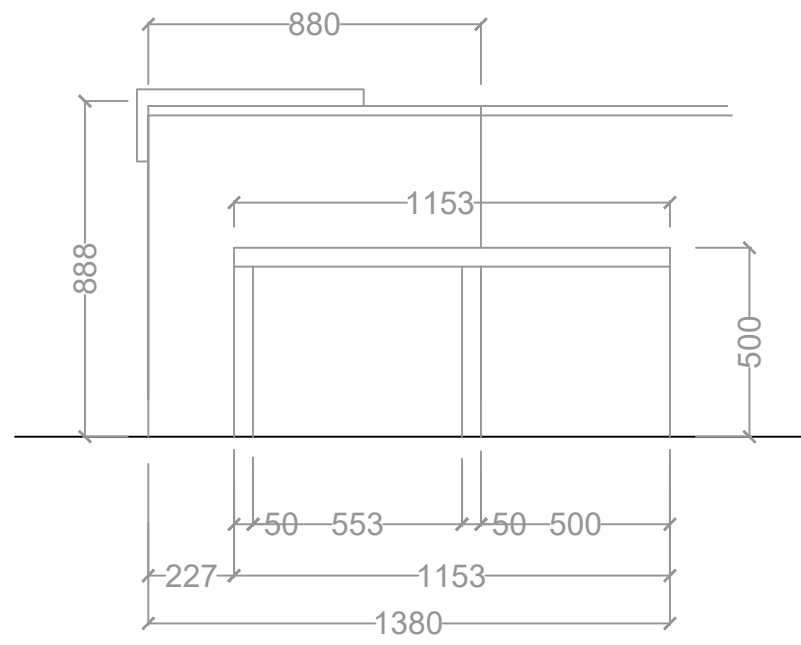
DESIGNED FOR:  
 CLASSIC KITCHENS

DATE:  
 1/15/2021

DESIGNER:  
 SUSANNA SPENCE

SCALE:  
 1:20

DWG NO.  
**4**



**D** ELEVATION



**E** ELEVATION

ALL DIMENSIONS AND SIZE DESIGNATIONS ARE SUBJECT TO VERIFICATION ON JOB SITE AND ADJUSTMENT TO FIT JOB CONDITIONS  
 DESIGN PLANS ARE PROVIDED FOR THE FAIR USE BY THE CLIENT OR HIS AGENT IN COMPLETING THE PROJECT AS LISTED WITHIN THIS CONTRACT. DESIGN PLANS REMAIN THE PROPERTY OF THIS FIRM AND CAN NOT BE USED OR REUSED WITHOUT PERMISSION.



**Classic Kitchens & Designs**  
 CUSTOM HOME CENTER  
 DOORS, WINDOWS, & MORE

DESIGNED BY:  
 CLASSIC KITCHENS AND DESIGNS INC.  
 495 SHASTA AVE.  
 SAND CITY, CA 93955

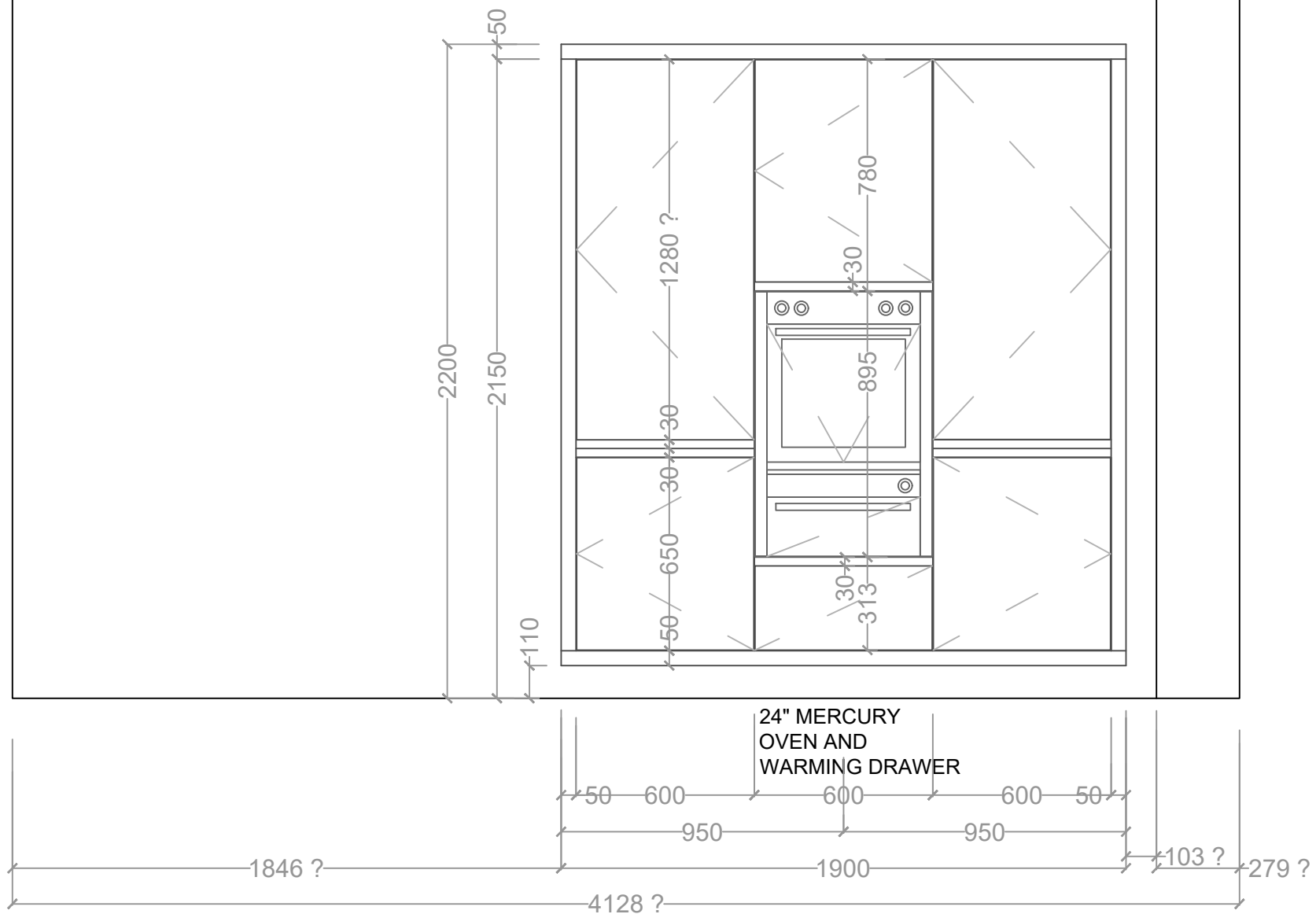
DESIGNED FOR:  
 CLASSIC KITCHENS

DATE:  
 1/15/2021

DESIGNER:  
 SUSANNA SPENCE

SCALE:  
 1:20

DWG NO.  
**5**



**F** ELEVATION

ALL DIMENSIONS AND SIZE DESIGNATIONS ARE SUBJECT TO VERIFICATION ON JOB SITE AND ADJUSTMENT TO FIT JOB CONDITIONS  
 DESIGN PLANS ARE PROVIDED FOR THE FAIR USE BY THE CLIENT OR HIS AGENT IN COMPLETING THE PROJECT AS LISTED WITHIN THIS CONTRACT. DESIGN PLANS REMAIN THE PROPERTY OF THIS FIRM AND CAN NOT BE USED OR REUSED WITHOUT PERMISSION.



**Classic Kitchens & Designs**  
 CUSTOM HOME CENTER  
 DOORS, WINDOWS, & MORE

DESIGNED BY:  
 CLASSIC KITCHENS AND DESIGNS INC.  
 495 SHASTA AVE.  
 SAND CITY, CA 93955

DESIGNED FOR:  
 CLASSIC KITCHENS

DATE:  
 1/15/2021

DESIGNER:  
 SUSANNA SPENCE

SCALE:  
 1:20

DWG NO.  
**6**